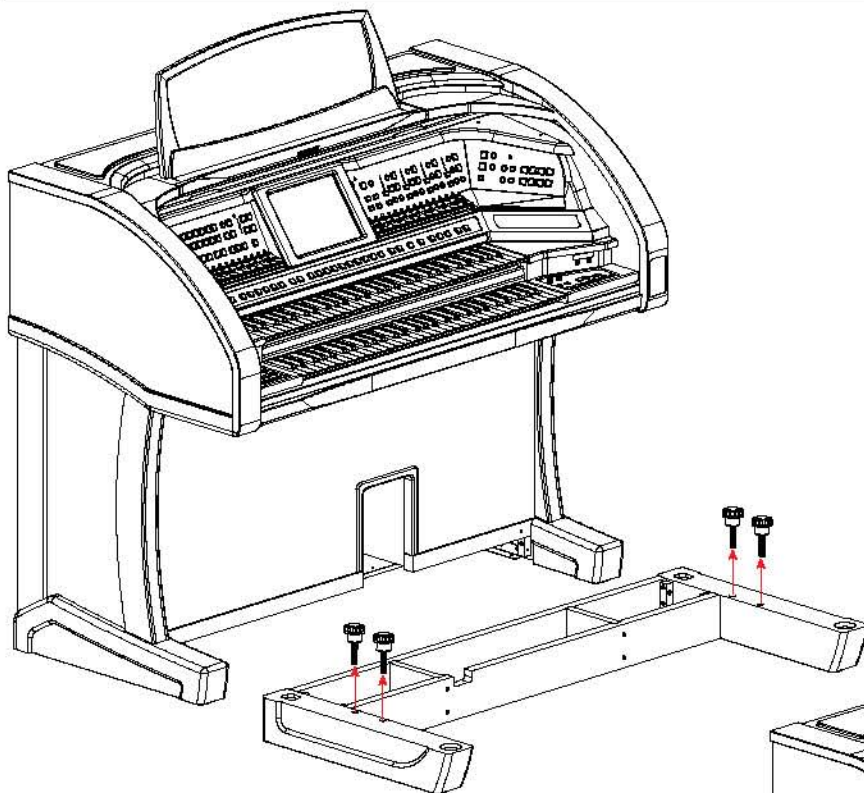
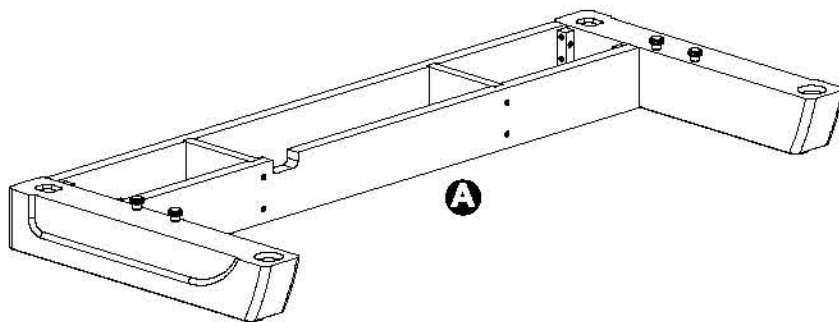
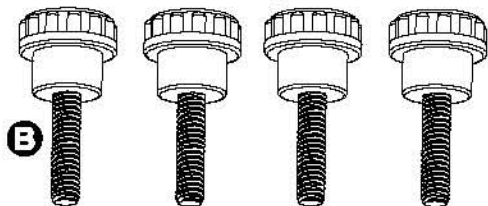


# Console Base Installation

## Console Base Components

1 - Pre-Assembled Console Base. **A**

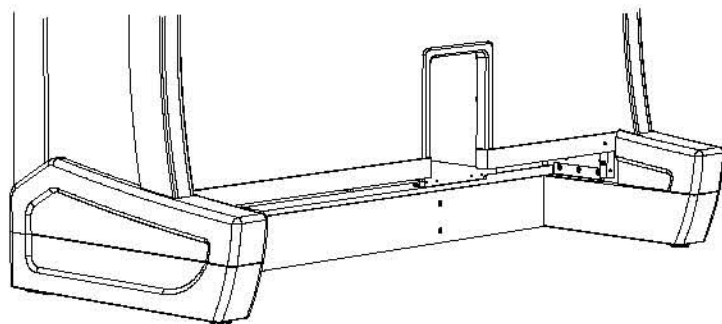
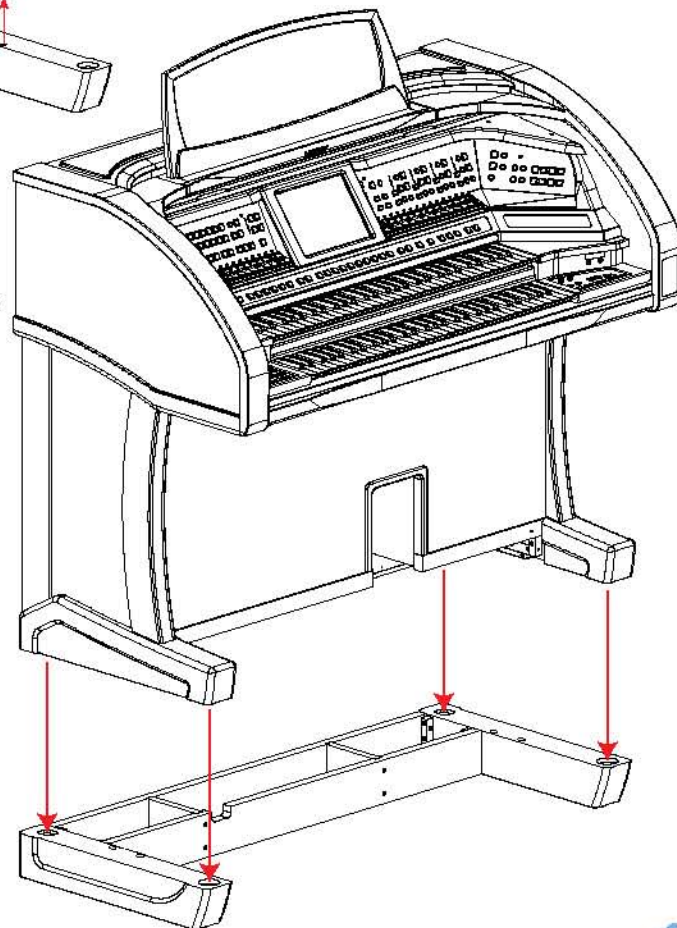
4 - Mounting Knobs. **B**



Please take time to read these instructions completely before attempting to install the Aria Pro Base, Expression Pedal, and Bass Pedal Assembly.

1. Carefully unpack the Aria Pro Console Base.
2. Remove the Mounting Knobs from the Base.
3. Place the Base in front of the Aria Pro Console.

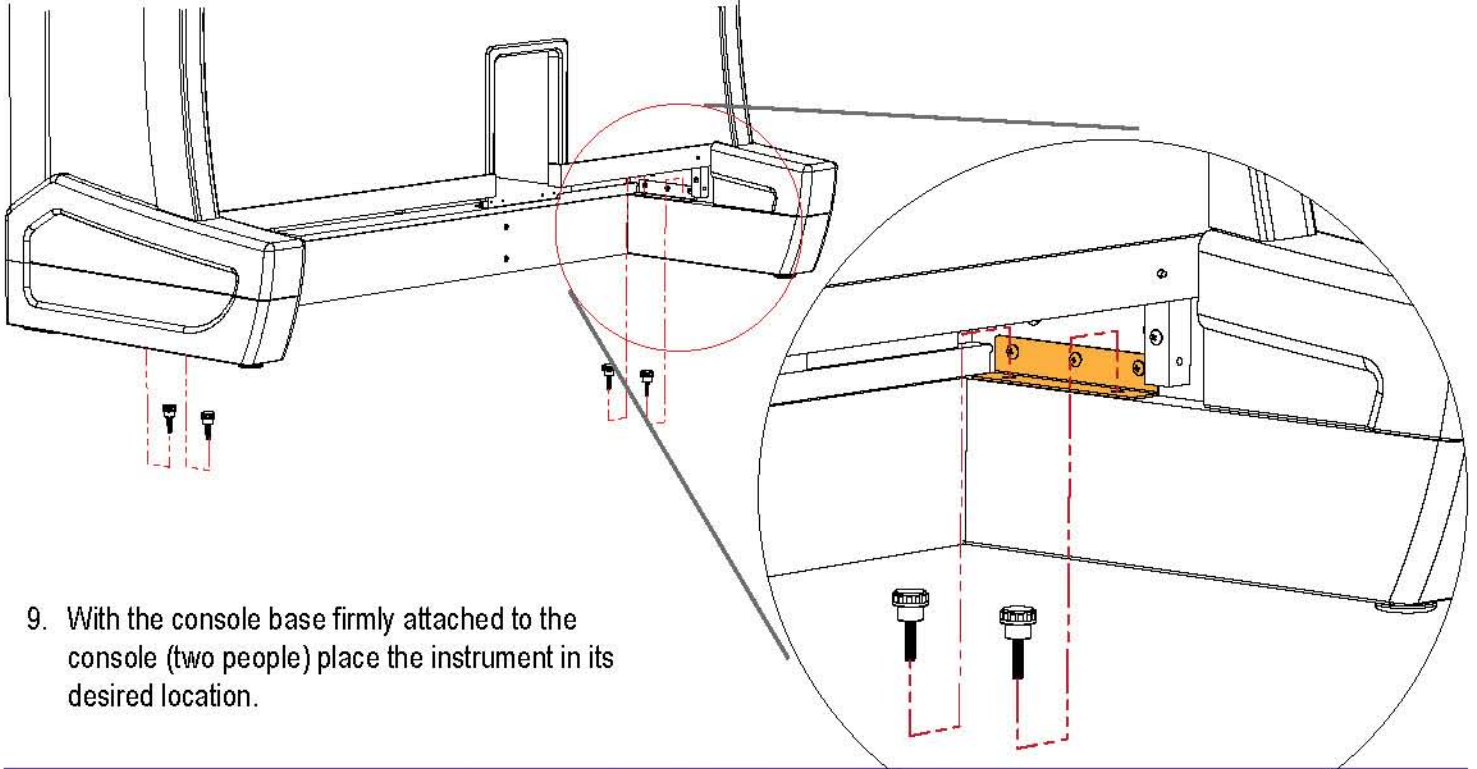
4. The Aria Pro is heavy. At least two people will be needed to lift the console.
5. Lower the console onto the base taking care to align the glides on the console feet with the insets/recesses in the base.
6. Carefully align the console feet with the base.



Attach the base to the console using the 4 Mounting Knobs.

7. Insert the mounting knobs through the holes in the metal brackets.

8. Tighten each mounting knob by hand. Channel lock pliers may be needed to slightly tighten the knobs.



9. With the console base firmly attached to the console (two people) place the instrument in its desired location.

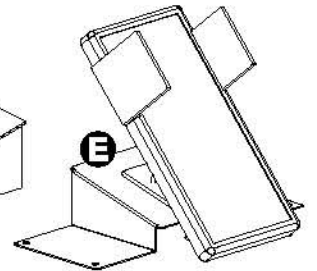
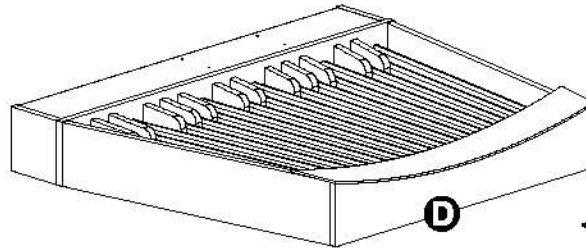
## Bass Pedal Installation

### Bass Pedal Components

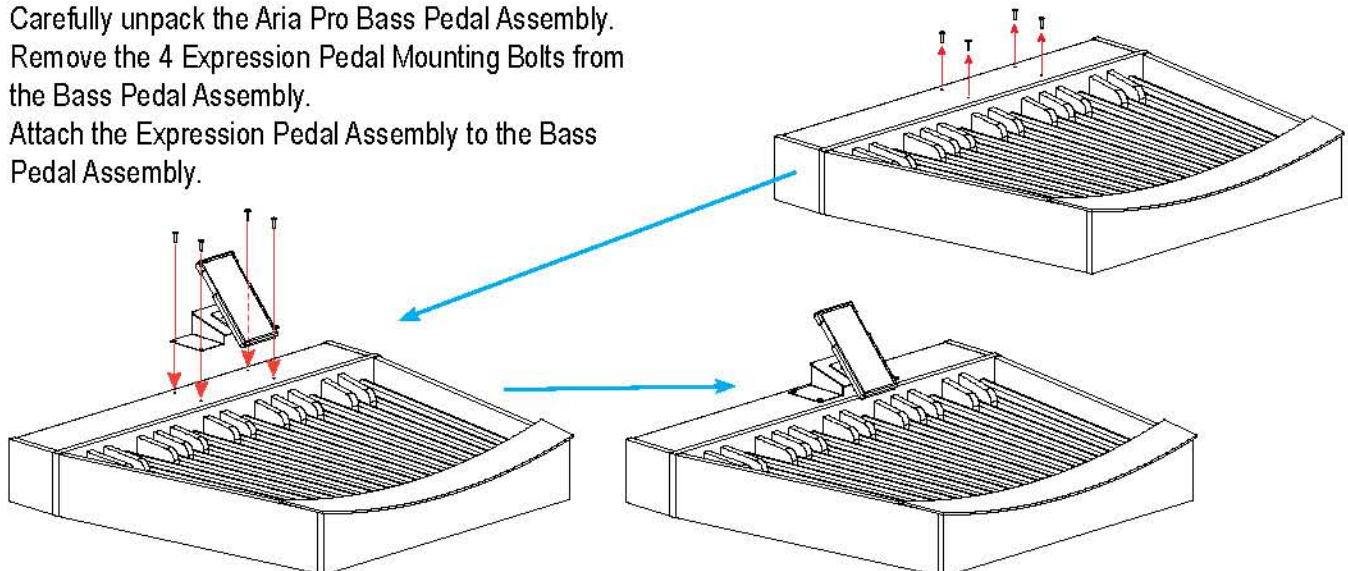
1 - Bass Pedal Assembly. **D**

1 - Expression Pedal Assembly. **E**

4 - Expression Pedal Mounting Bolts. **F**



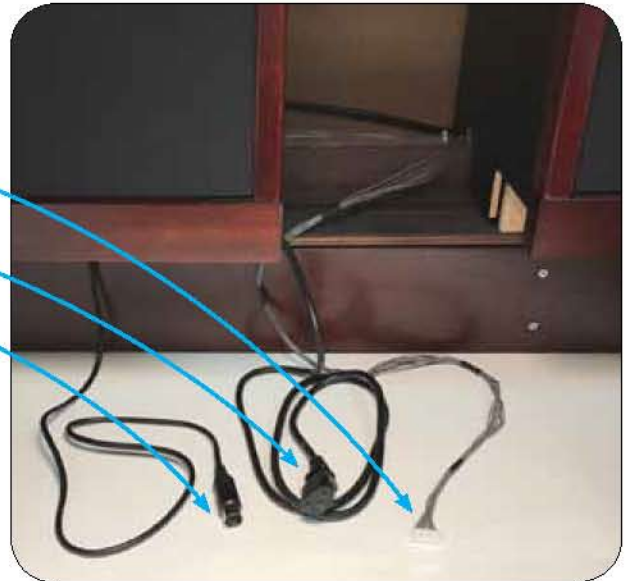
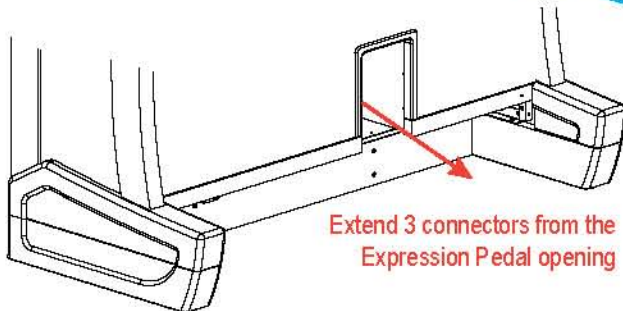
10. Carefully unpack the Aria Pro Bass Pedal Assembly.
11. Remove the 4 Expression Pedal Mounting Bolts from the Bass Pedal Assembly.
12. Attach the Expression Pedal Assembly to the Bass Pedal Assembly.



Connecting the Bass Pedal Assembly to the Aria Pro console.

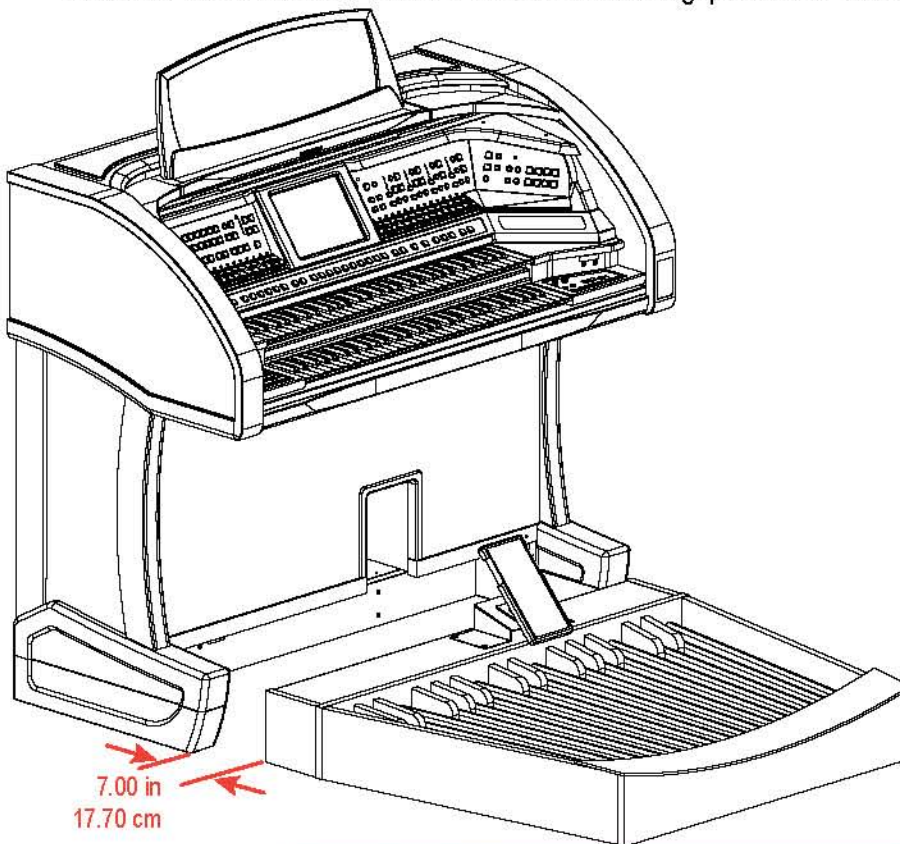
13. Carefully extend 3 cables/connectors from the Expression Pedal opening on the console.

- Expression Pedal connector
- AC Power Connector
- MIDI (Out) Connector



14. Place the Bass Pedal Assembly in front of the Aria Pro Console.

Leave no more than 7.00 inches / 17.70 centimeters gap between the Bass Pedal Assembly and console.



15. Make the Bass Pedal Assembly connections.

-Take care to align the connectors with the jacks located on the back side of the Bass Pedal Assembly.

MIDI Connector to MIDI OUT.

AC Connector to AC-IN.

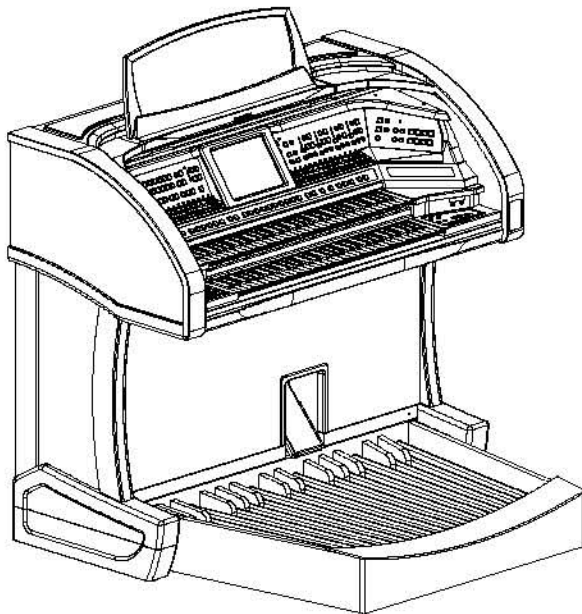
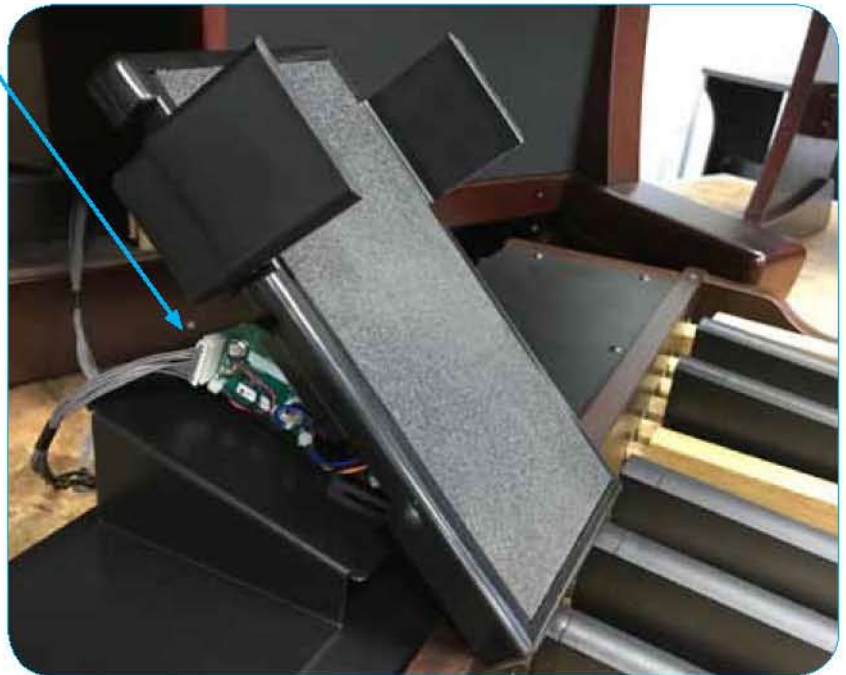
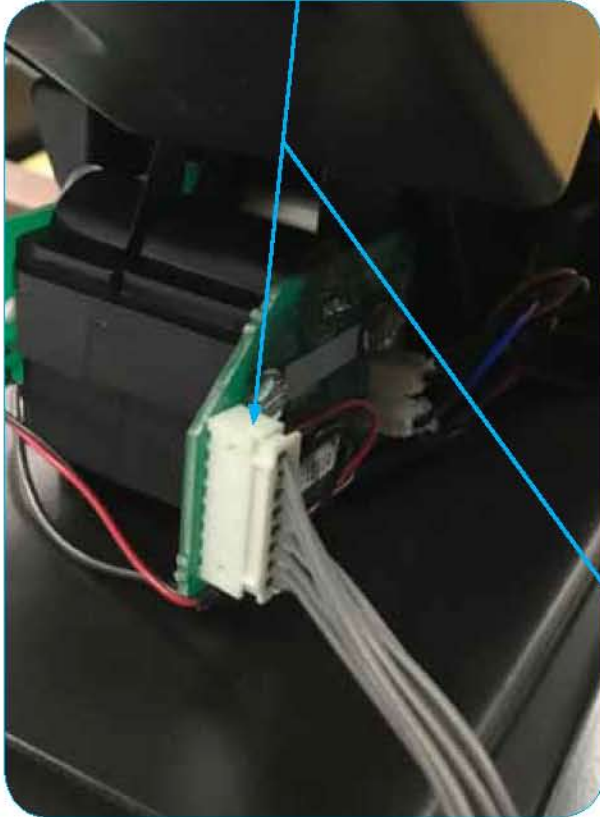
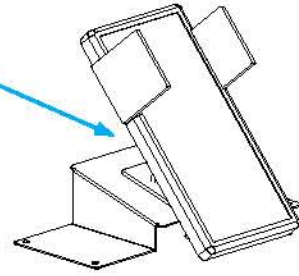
Set the POWER on/off switch to the | (ON) position.



16. Make the Expression Pedal Assembly connection.

-Take care to align the raised grooves on the connector with the slots on the receptacle.

-Press the connector fully and evenly into the receptacle.



17. Power On the Aria Pro and play the bass pedals to confirm function.

18. Power Off the Aria Pro.

19. Dress the cables and slide the Bass Pedal Assembly into position.

